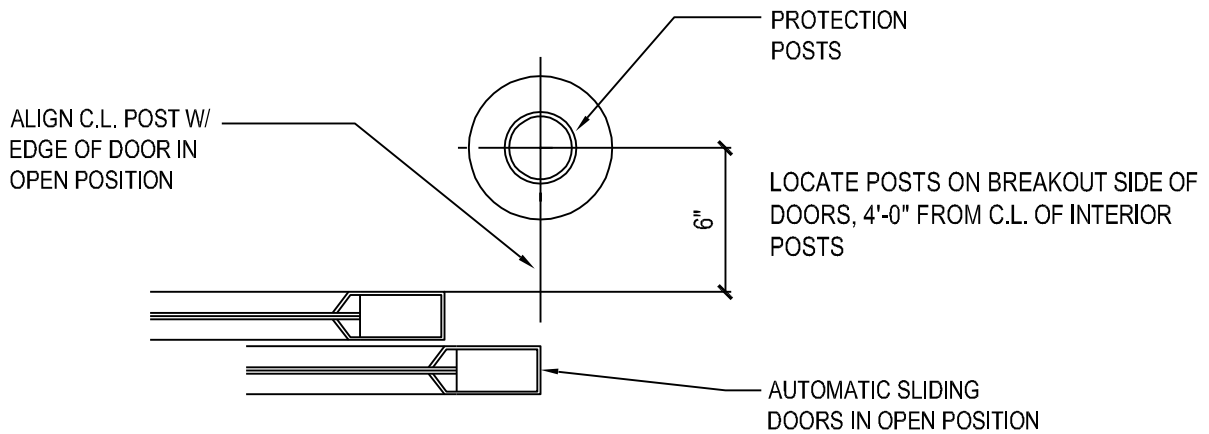


PLANT AT INTERIOR PARTITIONS



PLAN AT AUTOMATIC SLIDING DOORS

PROTECTION POST DETAIL

1 1/2" = 1'-0"

DATE	DEFENSE COMMISSARY AGENCY DIRECTORATE OF ENGINEERING FORT LEE, VIRGINIA - LACKLAND AFB, TEXAS		DESIGN STANDARD
JUN 2022	TITLE WALL & EQUIPMENT PROTECTION PROTECTION POST DETAILS	REF.	102600-03
		REV.	